

WHELEN[®]

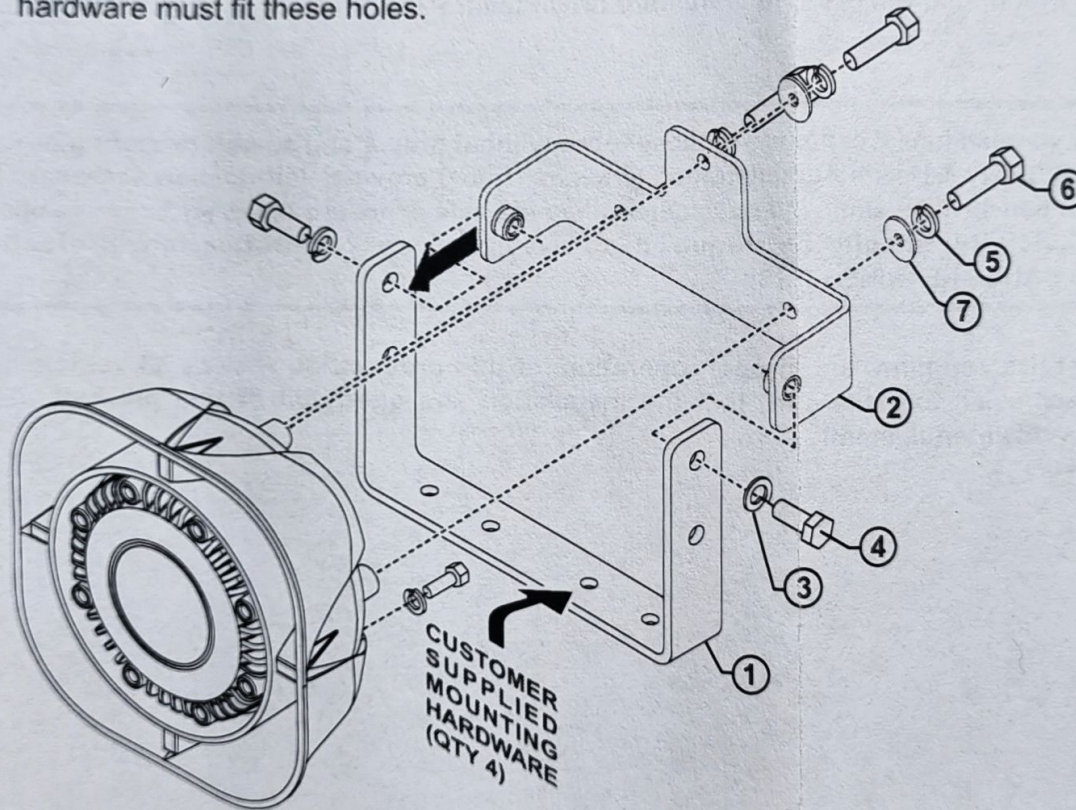
ENGINEERING COMPANY INC.

51 Winthrop Road,
Chester, Connecticut 06412-0684
Phone: (860) 526-9504

Installation Guide: SA315 Swivel Mount Siren Speaker Bracket Model SAK9

Internet: www.whelen.com
Sales e-mail: autosale@whelen.com
Customer Service e-mail: custserv@whelen.com

Assemble the bracket as shown below. Follow all warnings on the next page. Secure the bracket (with speaker) to the vehicle with user supplied mounting hardware (See page 2 drainage hole warning). The mounting holes in the bracket are .280". Your mounting hardware must fit these holes.



QTY	ITEM	PART NUMBER	DESCRIPTION
*		01-046C639-00	KIT, SPEAKER 315 SWIVEL MOUNT
1	1	07-26C585-023	BRKT. MTG. SWIVEL BASE
1	2	07-26C586-023	BRKT. SUPPORT SWIVEL MNT.
2	3	16-1431920-08	WASHER, 5/16 SPLIT LOCK
2	4	14-148436-120	BOLT, 5/16-18 X 3/4 HEXD HD
3	5	16-1331520-65	WASHER, 1/4 SPLIT LOCK
3	6	14-130436-240	SCREW, 1/4-20 X 1 1/2 HEX HD
3	7	16-1301820-60	1/4" FLAT WASHER

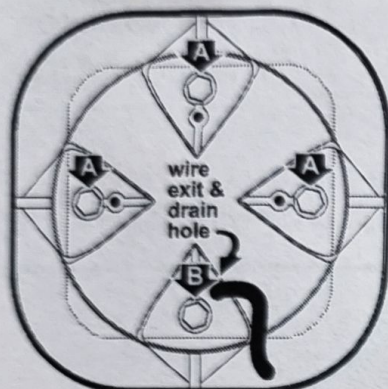
**ACTIVATION OF THIS
SIREN MAY DAMAGE
UNPROTECTED EARS!**



Wear
Protection!

CAUTION

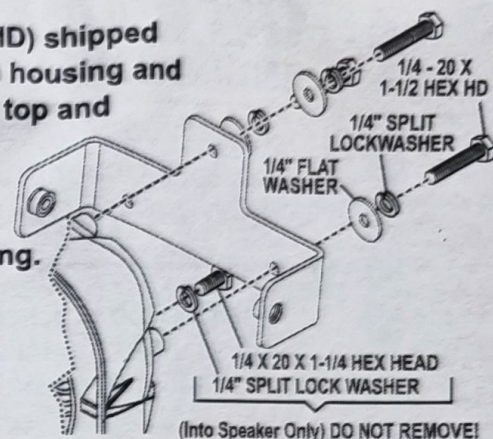
Loud siren noise can cause hearing damage and/or loss. Refer to OSHA Section 1910.95 prior to putting ANY siren into service!



SA315 / Rear View

The SA315 siren speaker mounting kit comes with 3 long bolts (1/4-20 X 1-1/2" HEX HD) shipped separately. The longer bolts are necessary to go through the mounting bracket, siren housing and into the siren driver ("A"). Your speaker is shipped with 2 short bolts installed on the top and bottom of the speaker. Remove the short bolt on top and replace it with a long bolt when mounting to the bracket. Do not remove the bottom short bolt. This bolt will hold the driver and housing together. At least 1 short bolt must be used in the hole that does not go through the bracket so it will properly secure the driver to the housing.

IMPORTANT: For drainage purposes, the speaker must be oriented so that the wire passage hole is in the "6 o'clock" position (closest to the road). This is also the drain hole for the siren. Improper mounting will result in premature driver failure and void the product warranty.



(Into Speaker Only) DO NOT REMOVE!

DANGER! Sirens produce extremely loud emergency warning tones! exposure to these tones without proper and adequate hearing protection, could cause ear damage and/or hearing loss! The Occupational Safety & Health Administration (www.osha.gov) provides information necessary to determine safe exposure times in Occupational Noise Exposure Section 1910.95. Until you have determined the safe exposure times for your specific application, operators and anyone else in the immediate vicinity should be required to wear an approved hearing protection device. **FAILURE TO FOLLOW THIS RECOMMENDATION COULD CAUSE HEARING LOSS!**

IMPORTANT Before returning the vehicle to active service, confirm the proper operation of this product, as well as all vehicle components or equipment. It is the responsibility of the installation technician to make sure that the installation and operation of this product will not interfere with or compromise the operation or efficiency of any vehicle equipment!