

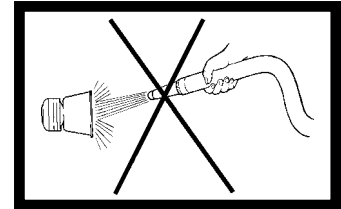


# ELECTRONIC SIREN

## AS-320DIG PO (POLAND)



# AS-320DIG PO (Ref:2020256PO)



## GB OPERATING INSTRUCTIONS (CONTROL HEAD)

**1** GREEN COLOUR

**2**

WAIL  
725Hz a 1556Hz  
17c/min.

ON  
TACHOGRAPH

**1** RED COLOUR

**2**

WAIL  
725Hz a 1556Hz  
17c/min.

ON  
TACHOGRAPH

**3**

YELP  
725Hz a 1556Hz  
177 c/min.

**4**

PRIORITY  
725Hz a 1556Hz  
830 c/min.

**5**

TWO TONES  
450Hz a 600Hz  
60 c/min.

**PTT**

GREEN COLOUR

OFF

**VOL**

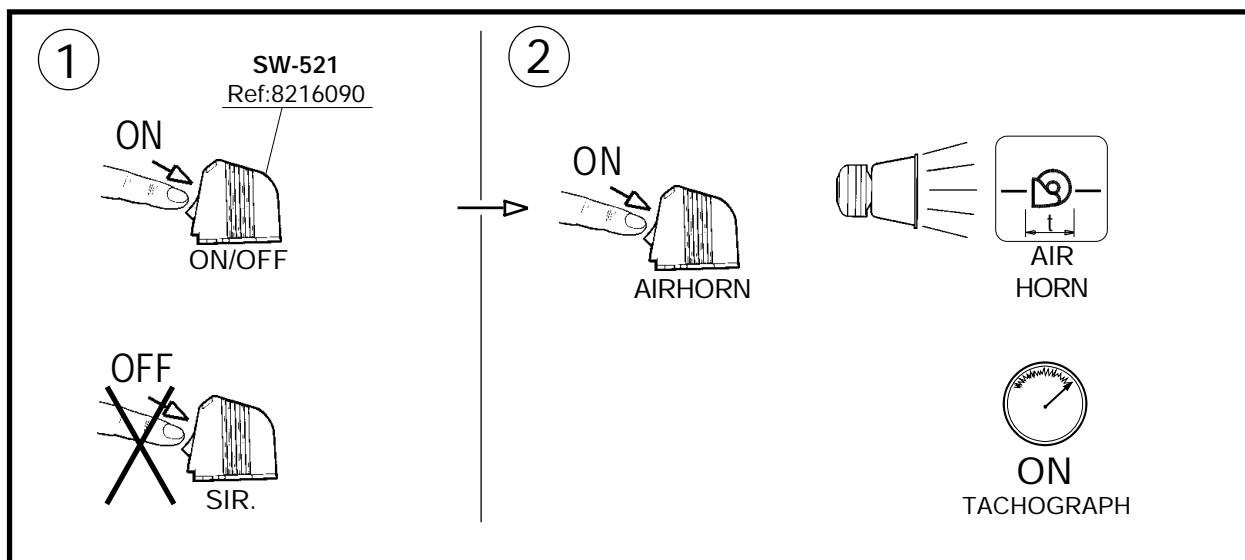
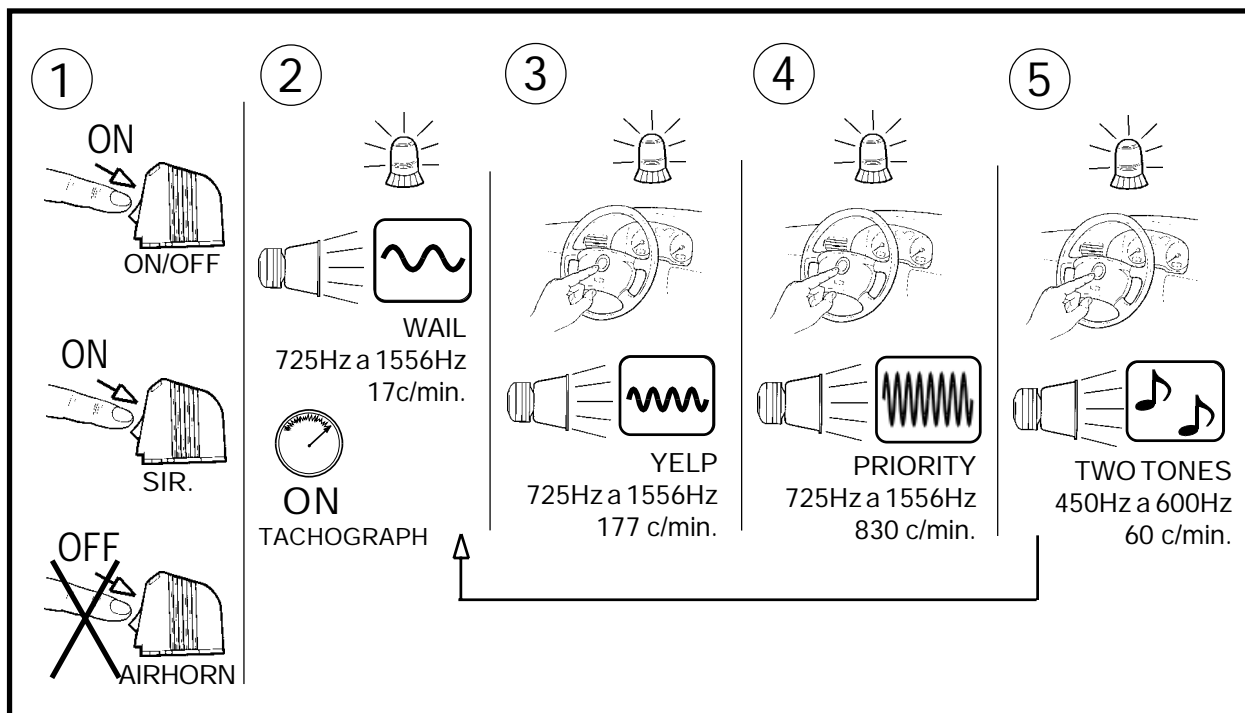
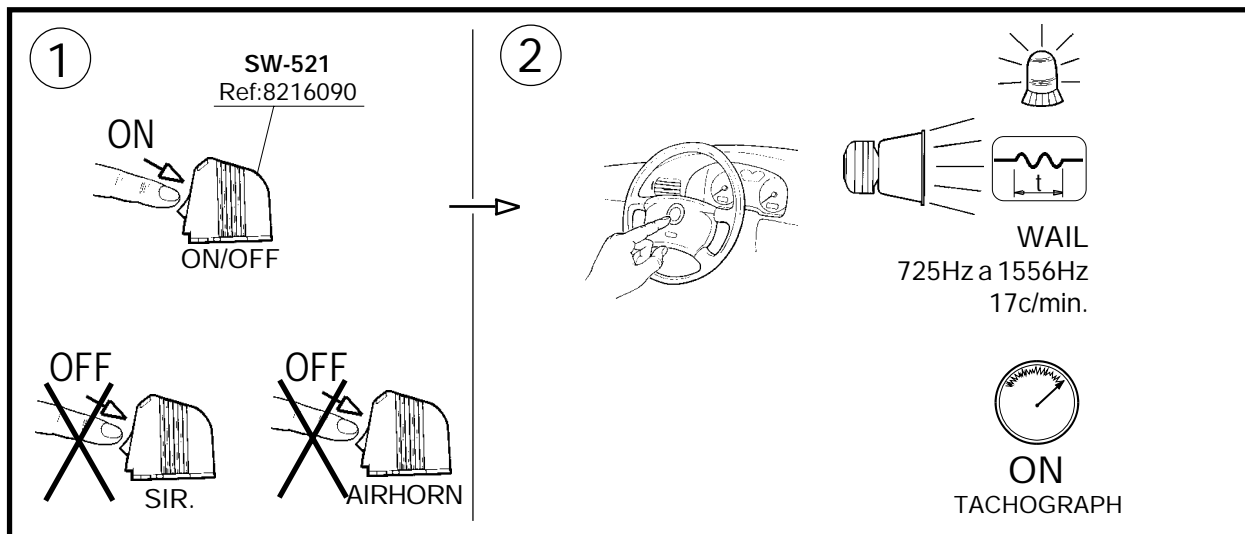
GREEN COLOUR

**LIGHTS**

AMBER COLOUR

**GB OPERATING INSTRUCTIONS (OPTIONAL SWITCHES)**

SWITCHES OVERRIDE THE CONTROL HEAD



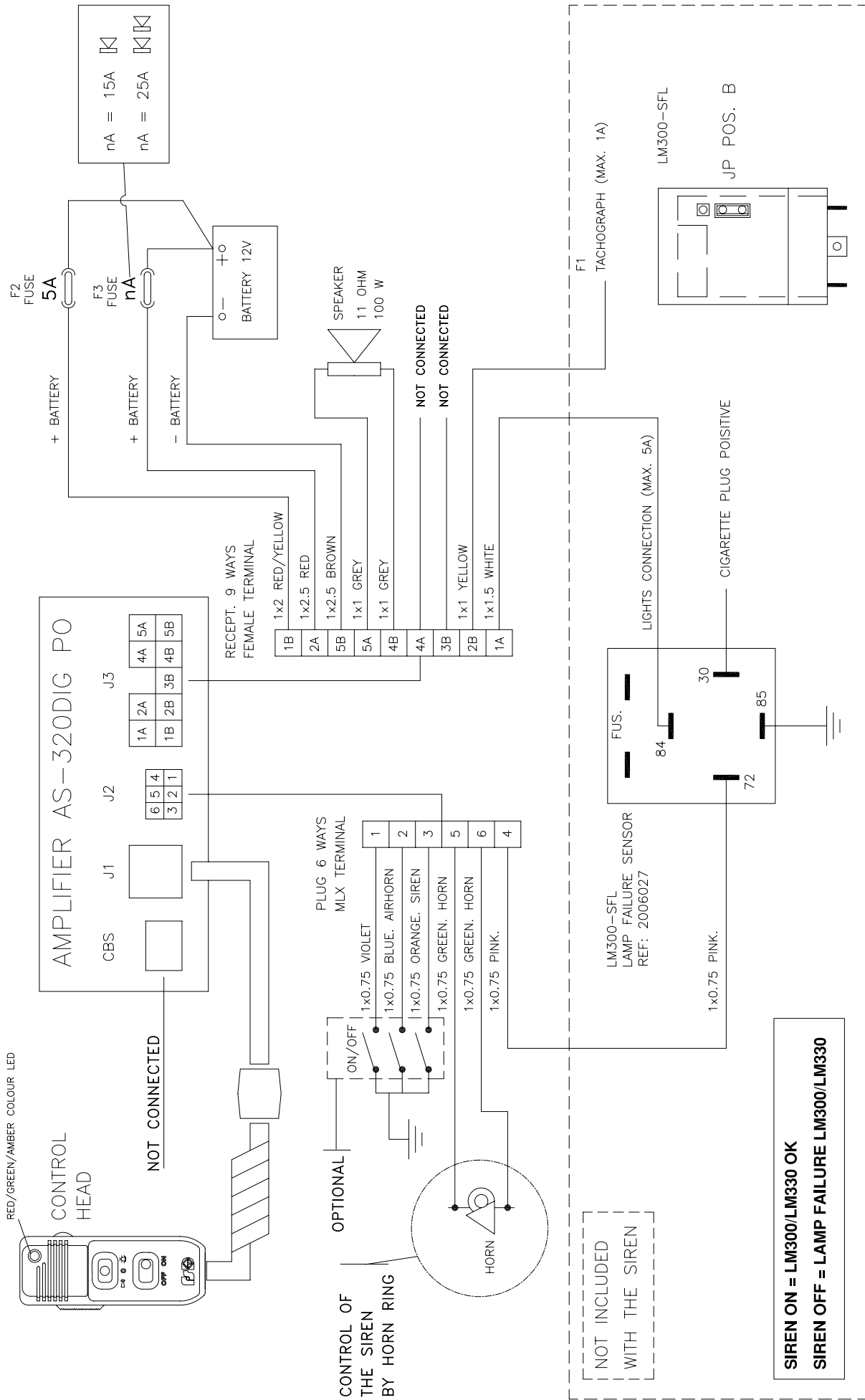


# SIREN MOD. AS-320DIG PO (100W) (12V)

REF. 2020256PO

## WIRING DIAGRAM

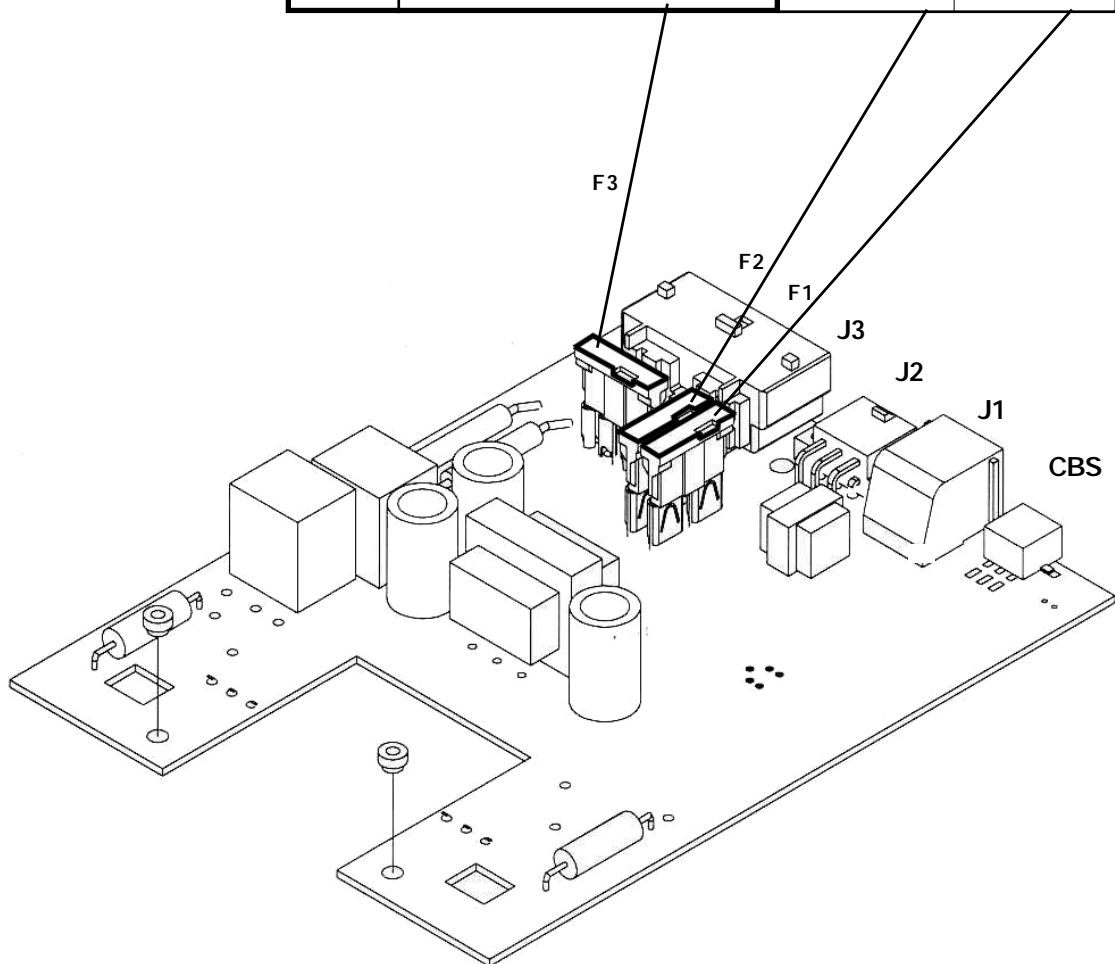
SWITCHES AND FUSES NOT INCLUDED. IT IS RECOMMEND TO USE SW-521 SWITCH OR SIMILAR.



**GB INNER FUSES SITUATION**

**GB FUSE:** F1, TACHOGRAPH. F2, LIGHTS. F3, AMPLIFIER.

	F3		F2	F1
12 V	15 A (⌘)	25 A (⌘⌘)	5 A	1 A
24 V	10 A (⌘)	15 A (⌘⌘)		





## SAFETY MESSAGE TO INSTALLERS

People's lives depend on your safe installation of our products. It is important to read, understand and follow all instructions shipped with this product and the related add-on products. In addition, listed below are some other important safety instructions and precautions you should follow:

- To properly install this product: you must have a good understanding of automotive electrical procedures and systems, along with proficiency in the installation and use of safety warning equipment.
- When drilling into a vehicle structure, be sure that both sides of the surface are clear of anything that could be damaged. Remove all burrs from drilled holes. To prevent electrical shorts, grommet all drilled holes through which wiring passes.
- A light / sound system is a high current device. In order for it to function properly, a separate ground connection must be made. If practical, it should be connected to the negative battery terminal. At a minimum, it may be attached to a solid metal body or chassis part that will provide an effective ground path as long as the equipment is to be used.
- High voltages are present inside the strobe light equipped models during and after operation. Ensure that power is disconnected and wait at least ten minutes before removing the dome.
- Locate the equipment so the VEHICLE and CONTROLS can be operated safely under all driving conditions.
- You should frequently inspect the equipment to ensure that it is operating properly and that it is securely attached to the vehicle.
- File these instructions in a safe place and refer to them when maintaining and reinstalling the product.

Failure to follow all safety precautions and instructions may result in property damage, serious injury, or death to you or to others.