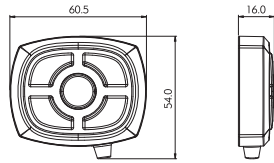


911 SIGNAL®



Master 5
Mini Controller for Police Motorcycle

DIMENSIONS

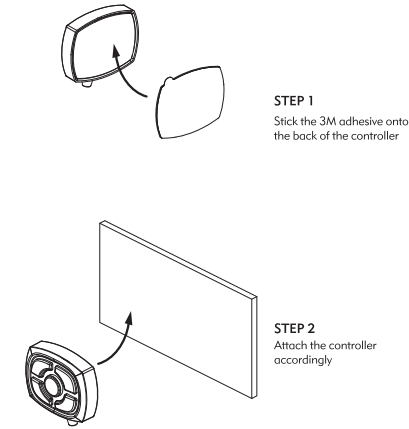


TECHNICAL SPECIFICATIONS

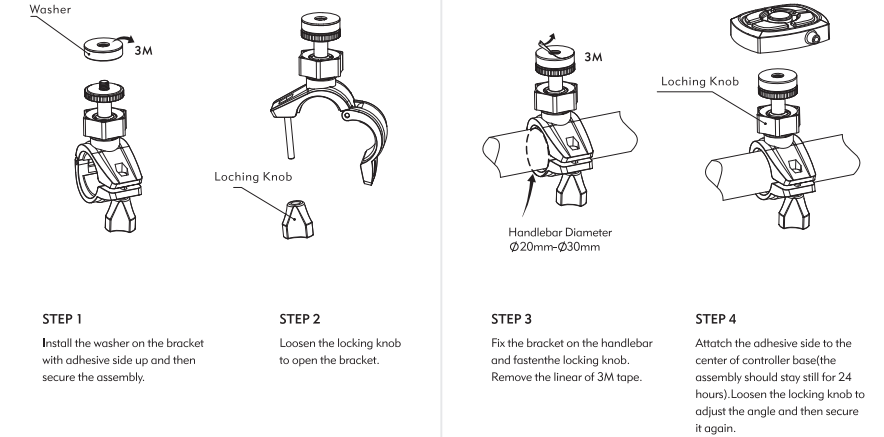
Item	031502	031503
Voltage	DC 10-33V	
Type	Switch Panel	
Output	5 Groups	
Load	Yes	
Max Current	300mA (1 group), 5mA (4 groups)	
Botton	5 Buttons set by yourself	
Mount	3M Adhesive / Bracket Mount	

MOUNT

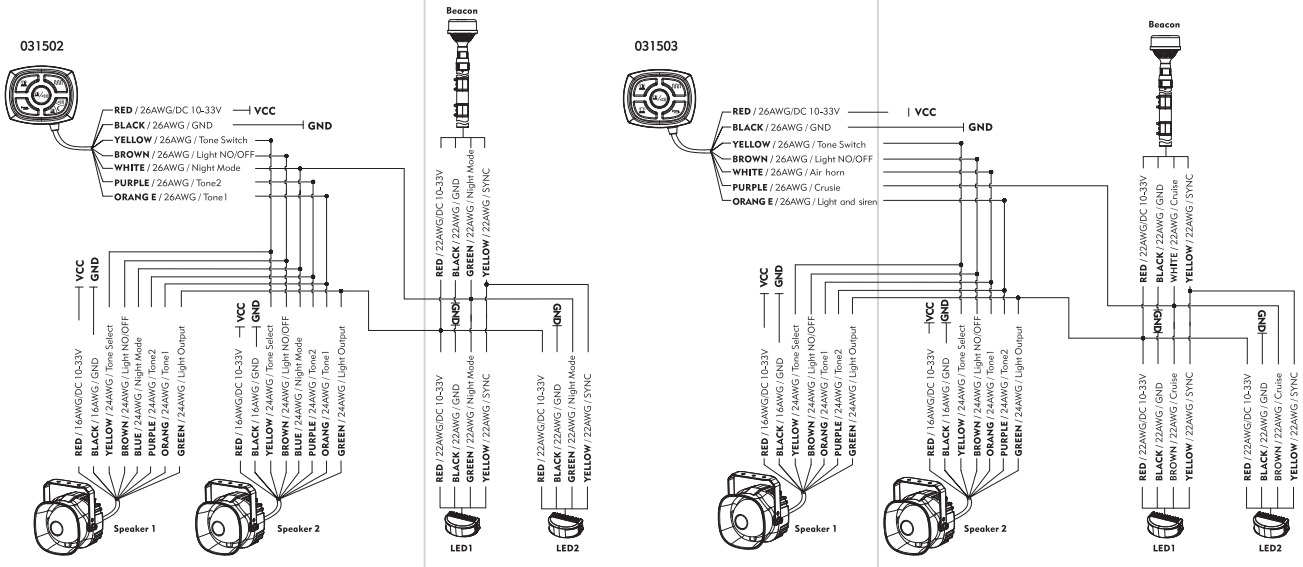
3M Adhesive



Bracket Mount



WIRING



031502

- ON/OFF of warning light (Control LED 1, LED 2, Beacon)
- ON/OFF of warning light and siren tone 2 (Control LED 1, LED 2, Beacon, Speaker 1 and Speaker 2)
- Short press for siren tone selection
- Long press for more than 3s to reset to silent mode
- Short press once again to return to the first tone "Wall" (Control Speaker 1 and Speaker 2)
- ON/OFF of warning light and siren tone 1 (Control LED 1, LED 2, Beacon, Speaker 1 and Speaker 2)
- Night Mode (both for warning light and siren) (Control LED 1, LED 2, Beacon, Speaker 1 and Speaker 2)

031503

- ON/OFF of warning light (Control LED 1, LED 2, Beacon)
- ON/OFF of cruise light (Control LED 1, LED 2, Beacon)
- Short press for siren tone selection
- Long press for more than 3s to reset to silent mode
- Short press once again to return to the first tone "Wall" (Control Speaker 1 and Speaker 2)
- ON/OFF of warning light and siren (Control LED 1, LED 2, Beacon, Speaker 1 and Speaker 2)
- Long press to activate the tone "Air horn"
- Release the button to turn off the tone "Air horn" (Control LED 1, LED 2, Beacon, Speaker 1 and Speaker 2)

911 Signal Technology Inc.

Add: Room 701-702, Hengwei Building, No. 258, Tiangao Lane, Shouan Subdistrict, Yinzhou Area, Ningbo City, Zhejiang, China.

Tel: +86 574 89017911 +86 400 6757911
Fax: +86 574 82822560
Email: sales@911signal.com
Website: www.911signal.com

W60*H85 mm